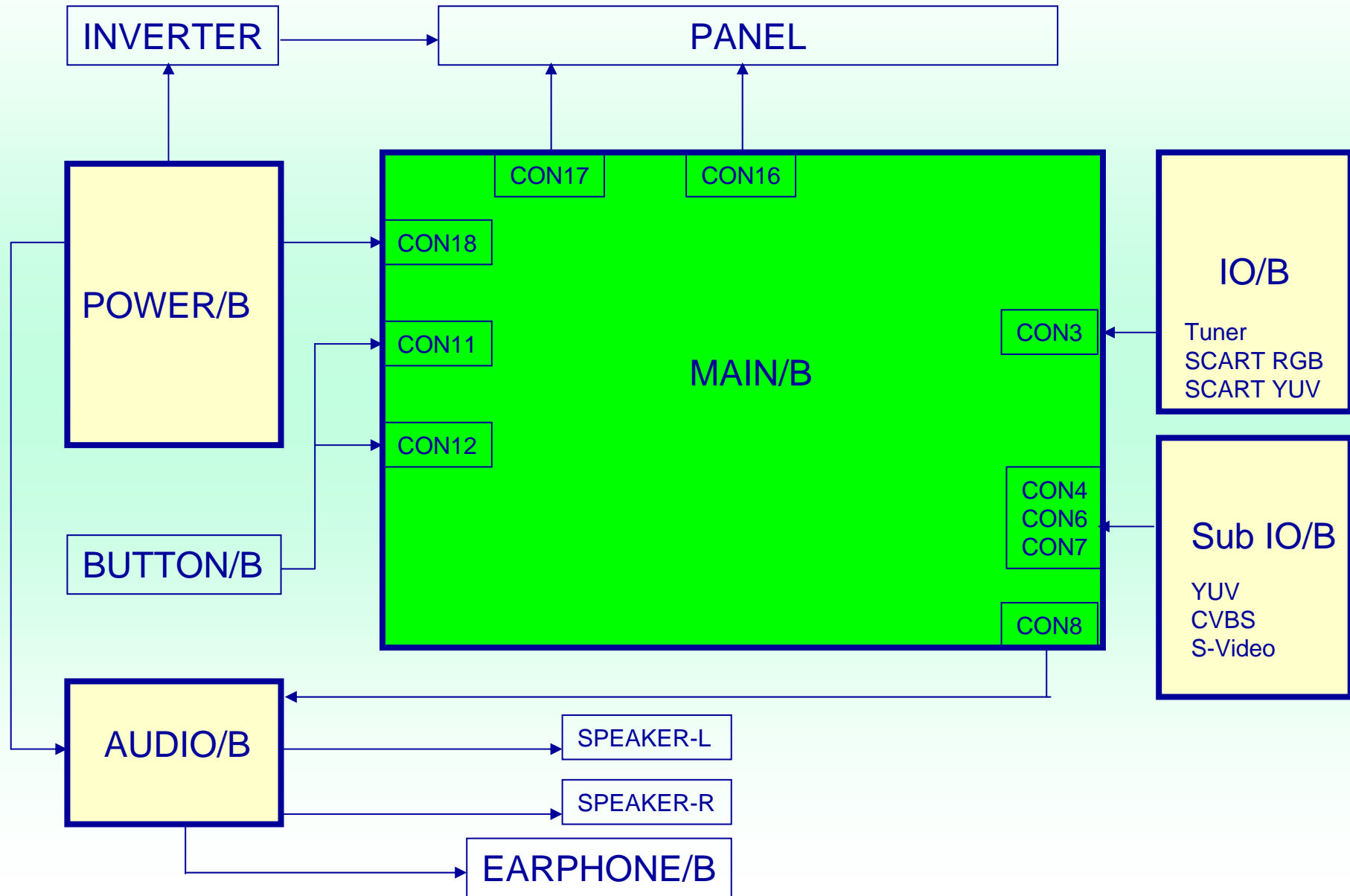


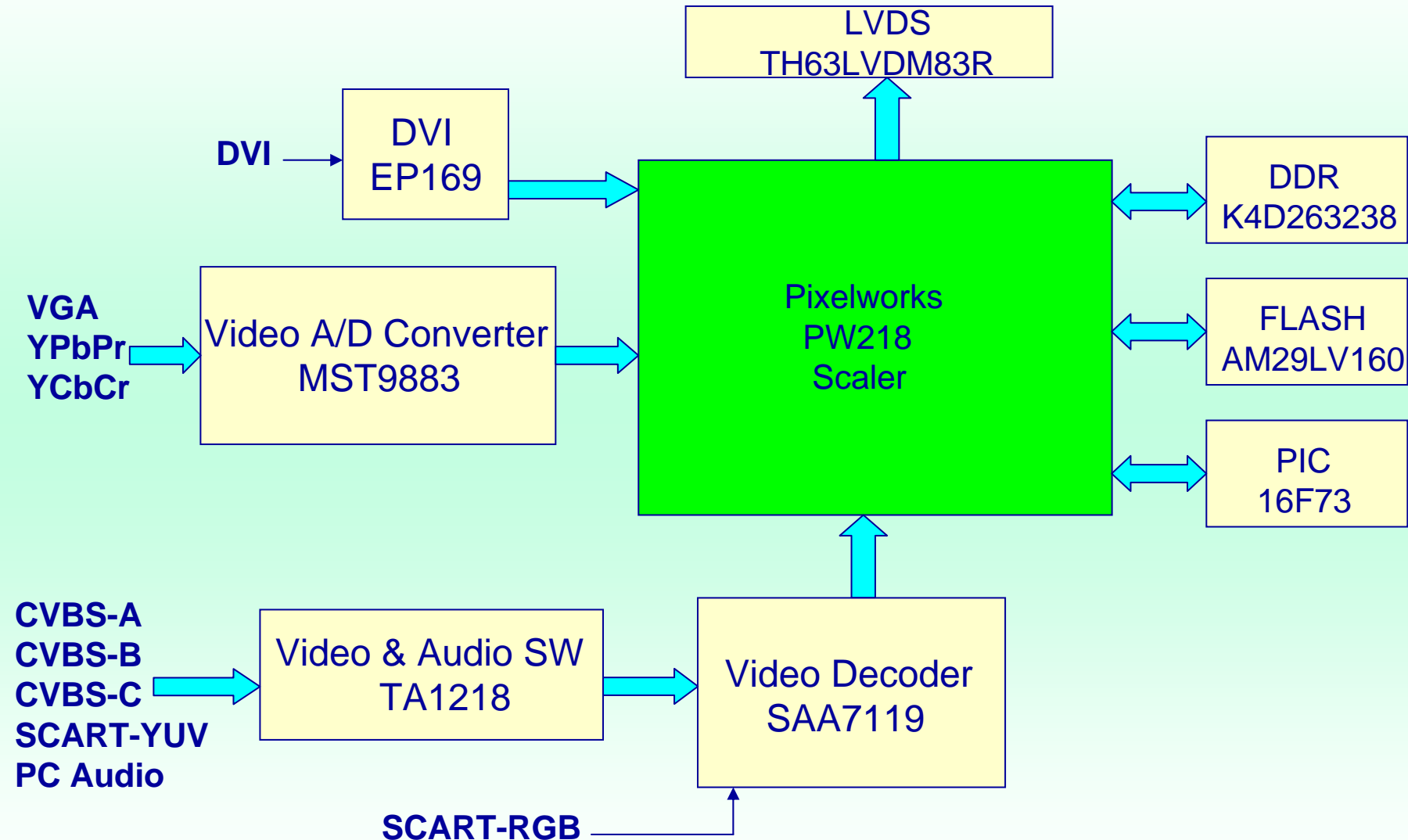
AT3201W

Troubleshooting Guideline

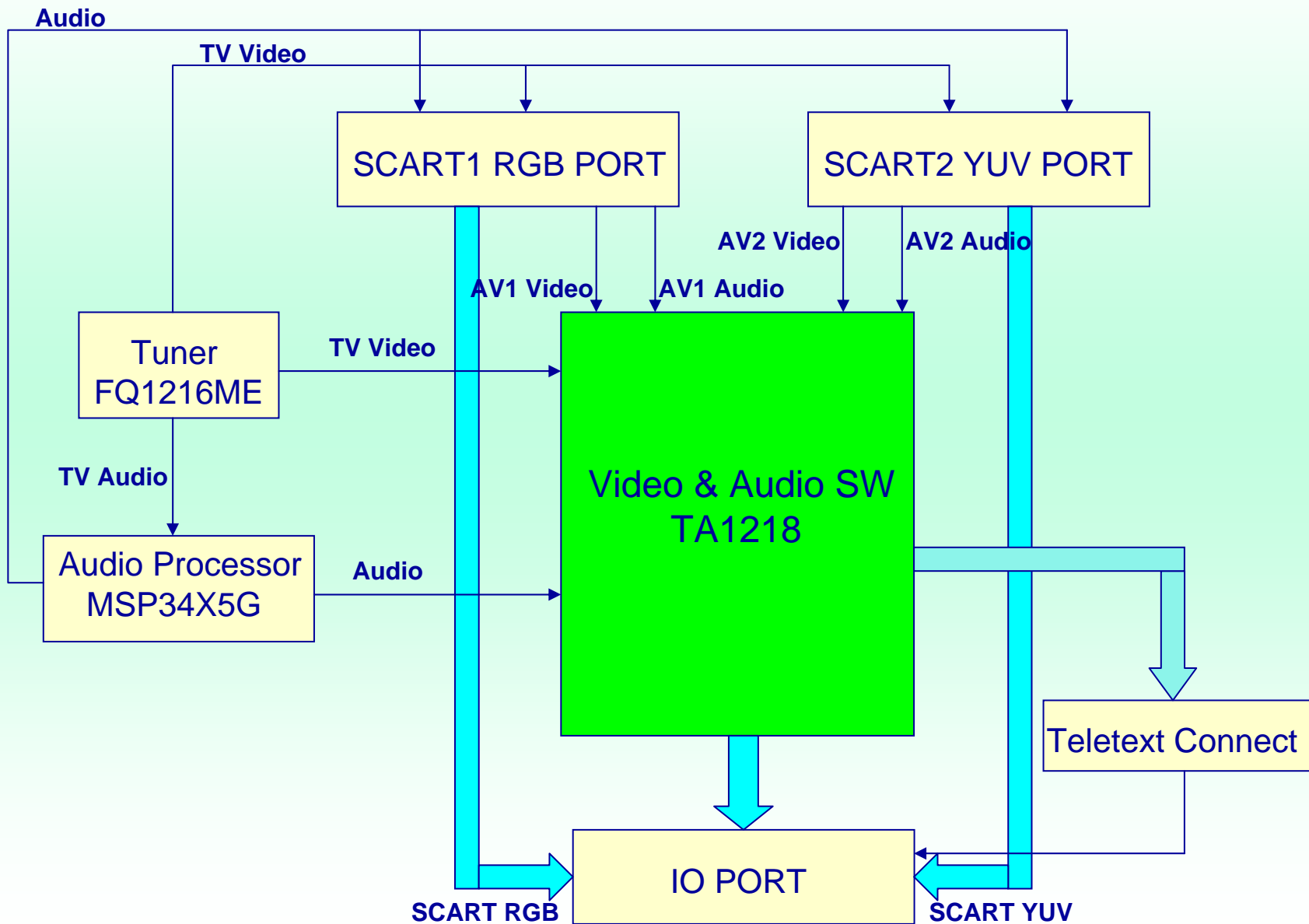
AT3201W System Block Diagram



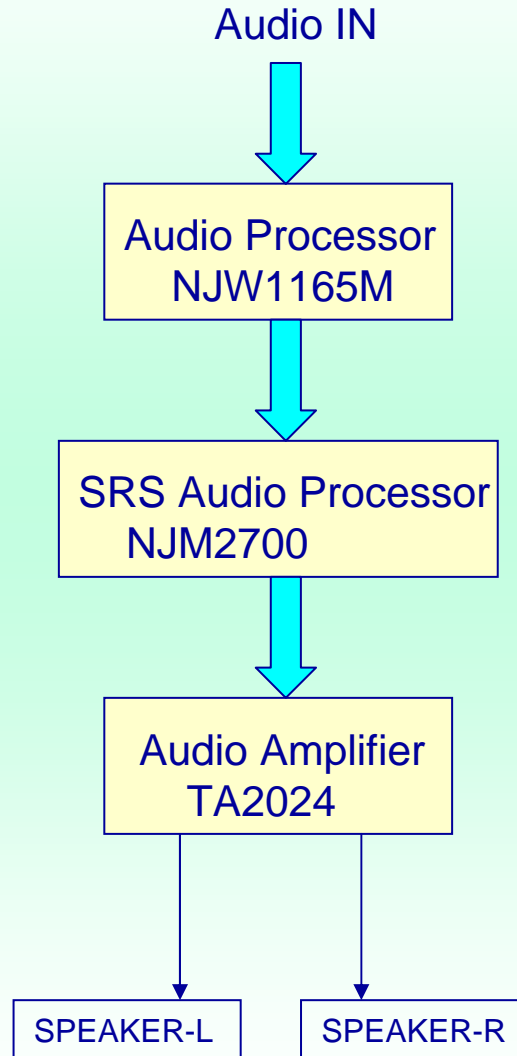
Main Board Block Diagram

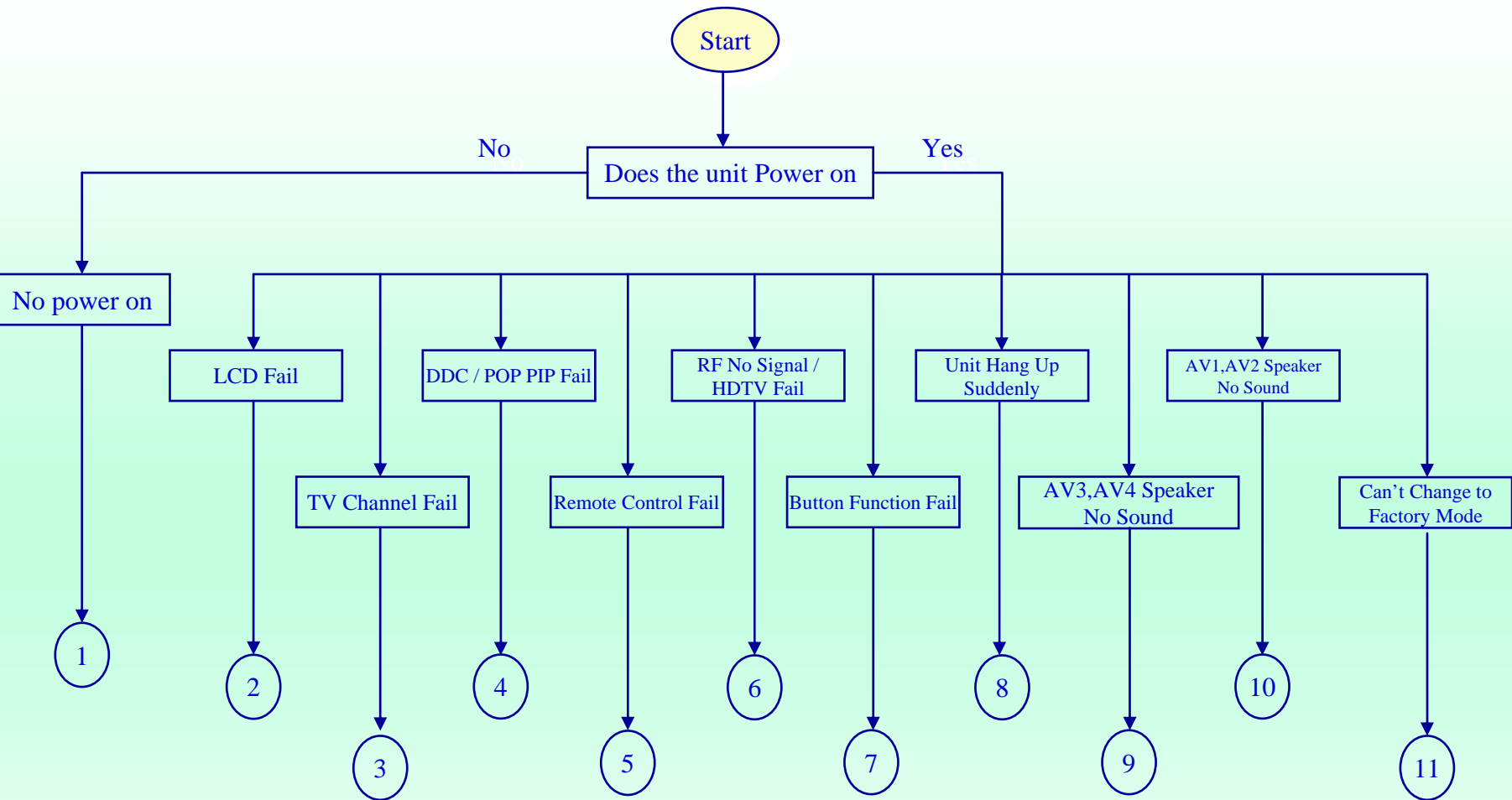


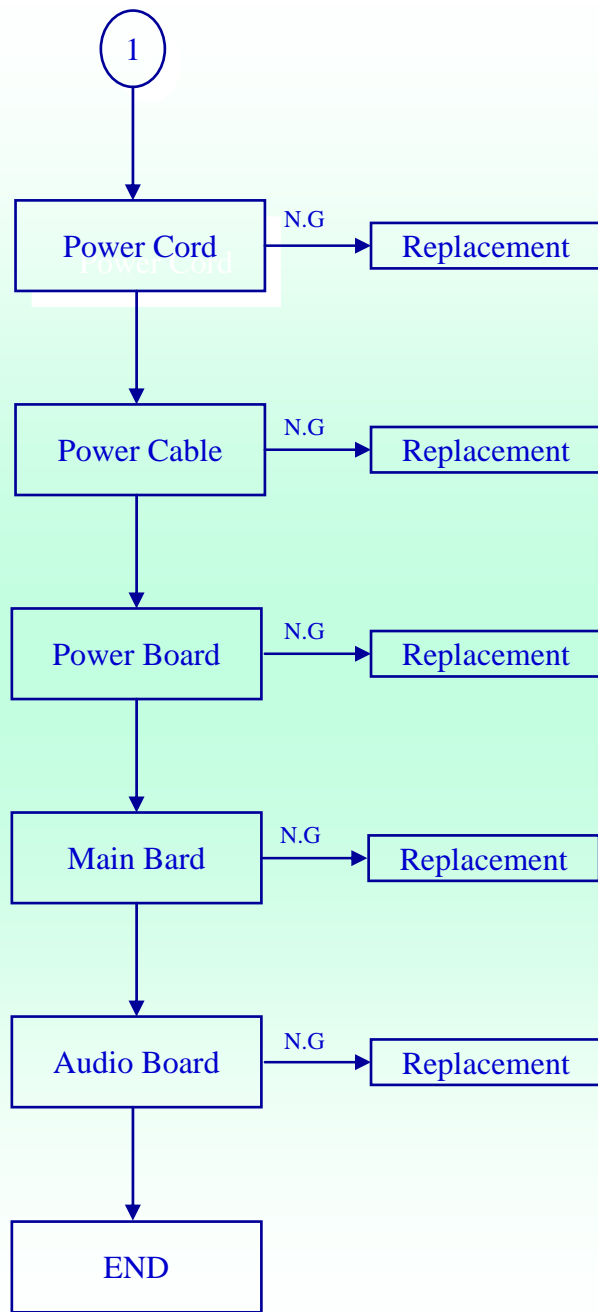
IO Board Block Diagram



Audio Board Block Diagram







2

LCD No Back Light

LCD No Display

CCFT Cable

N.G

Replacement

N.G

LCD Cable

Inverter Board

N.G

Replacement

N.G

Main Board

LCD Panel

N.G

Replacement

N.G

LCD Panel

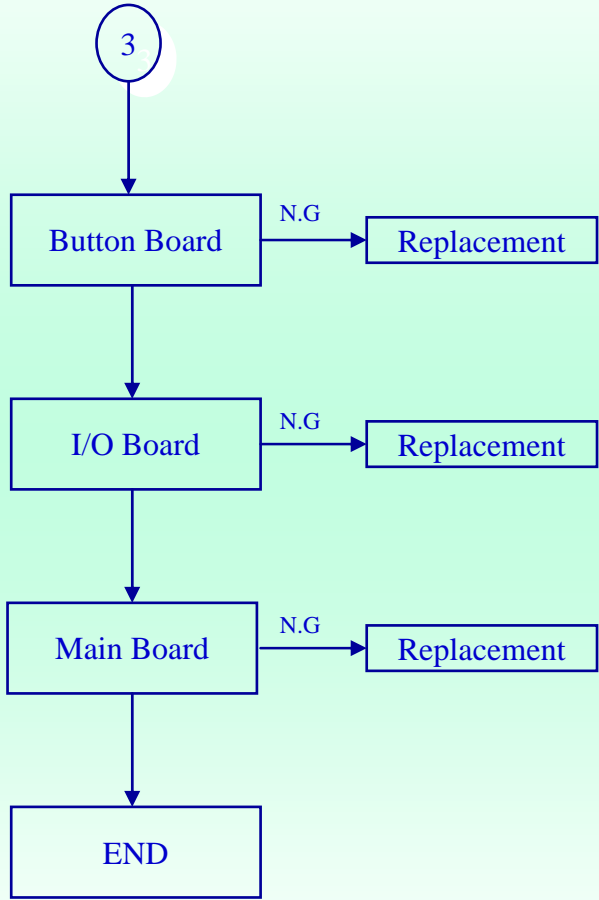
Main Board

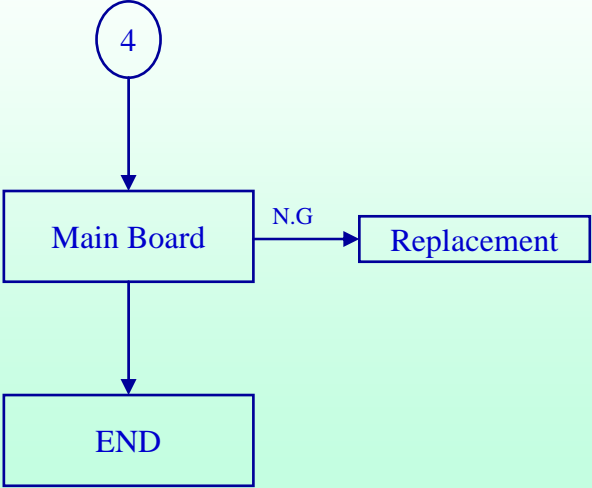
N.G

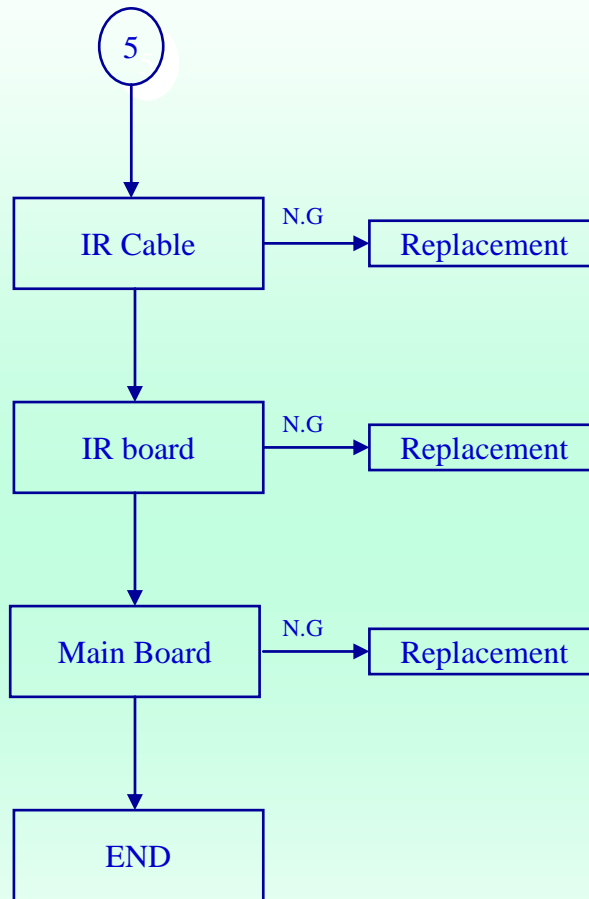
Replacement

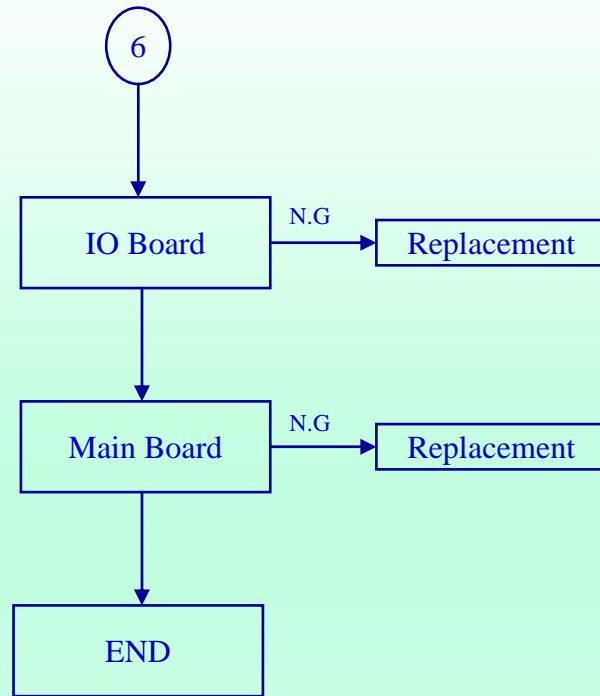
END

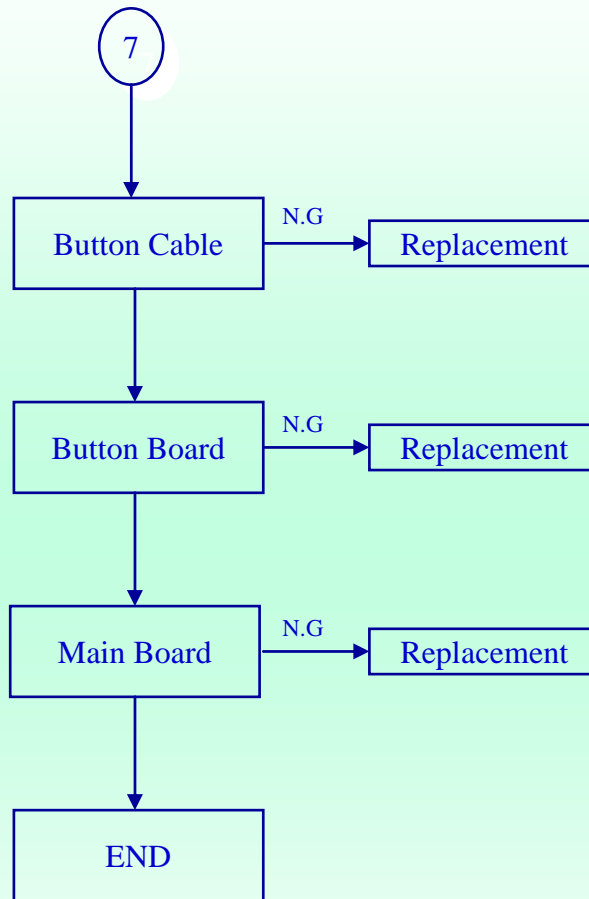
END

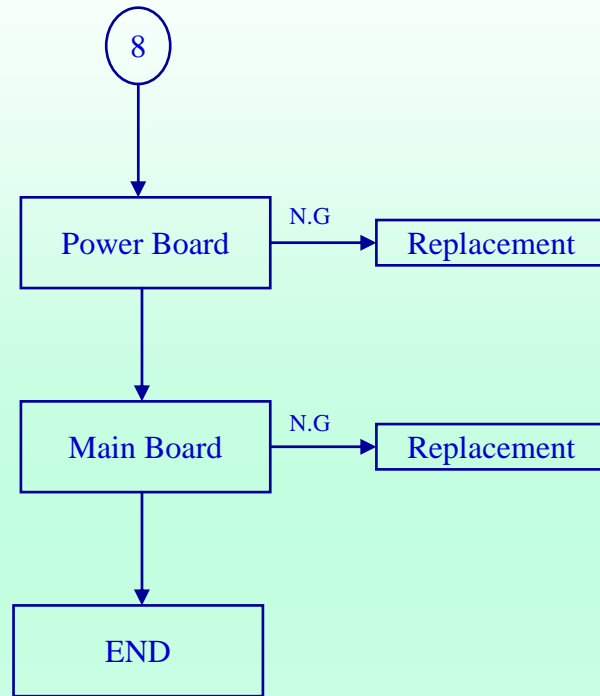












9

